

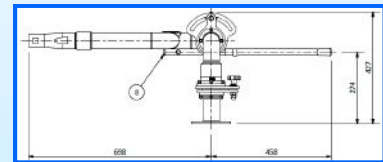
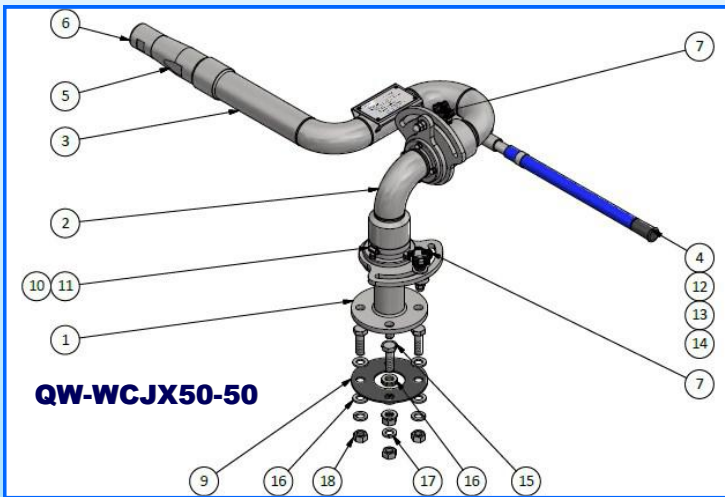


'JETEX BLASTER' WATER CANNON DN50 —316SS

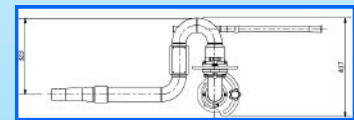


QW-WCJX50-50

STANDARD SUPPLY—STRAIGHT HANDLE



OPTIONAL—TRIANGULAR HANDLE



TOUGH WASH-DOWN JOBS ...

NEED SUPERIOR POWER - JETEX BLASTER - 316SS HD WATER CANNON
SOLID STREAM PERFORMANCE A SERIOUS 50mm WATER CANNON
DESIGNED TO LAST - MADE FOR MINING & INDUSTRY

GREAT PRODUCT FEATURES:

- 316SS Construction
- 50mm Waterway
- Flange Connection 50mm (Table E)
- Stream Shaper Vanes
- HD Swivel Joints
- Soft Handle Grip
- Handle Position Fixed
- Articulation Lock Knobs
- Work Pressure 8.0bar (max)
- Nozzle Jet Flow Sizes 12-19mm (max)
- Suitable For Most Water Types
- Standard Warranty 1yr

Question.....
What is designed for
MAXIMUM cleaning—with
robust construction—to take
the daily punishment of any
Heavy Industry washing
requirement ?

"JETEX BLASTER"
manufactured by Q water is
your answer.....IT'S the
ONLY answer !

Articulation STD:

Horizontal - LH 60° + RH 60° = 120°
Vertical - UP 60° + DWN 60° = 120°

Q water Pty Ltd

ABN 68 009 465 347

Head Office Ph: +61 (0) 7 3865 5555
Head Office Fax: +61 (0) 7 3865 5555

Mobile Ph QLD: +61 (0) 417 590 660
Mobile Ph ALL: +61 (0) 417 590 660

Email: sales@qwater.com.au
Web: www.qwater.com.au

Australian Design - Manufacture

